

## Timetric



### **2000A Vacuum Circuit Breaker**

Wenzhou Shuyi Import and Export Co., Ltd. is China manufacturer & supplier who mainly produces Timetric 2000A Vacuum Circuit Breaker with many years of experience. Hope to build business relationship with you.

#### Product Description

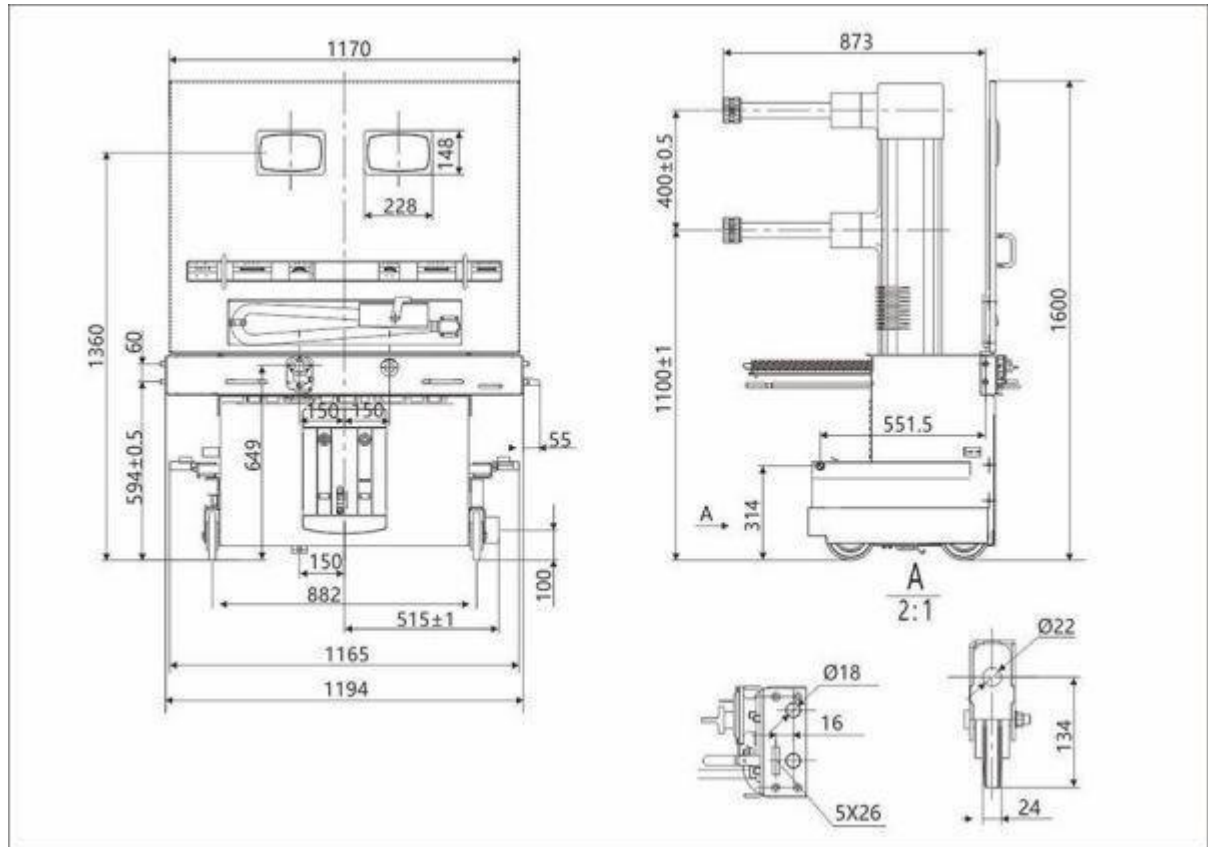
##### **Timetric 2000A Vacuum Circuit Breaker General description:**

Wenzhou Shuyi Import and Export Co., Ltd. is China manufacturer & supplier who mainly produces Timetric 2000A Vacuum Circuit Breaker with many years of experience. Hope to build business relationship with you. ZN85-40.5/31.5-300 is a HV indoor vacuum circuit breaker working as a protection and control unit of power grid equipment and industrial electric equipment in power system of rated voltage from 40.5KV. It meets the requirements of GB/T1984-2014 (AC HV circuit breaker) and JB355-1996 (3.6KV-40.5KV indoor AC HV vacuum circuit breaker). It can be used in switchgears of KYN61.



**Timetric 2000A Vacuum Circuit Breaker Parameter (Specification)**

Colour	Silver gray、Red
Shape	Combination
Size	customized
Rated Voltage	40.5KV
Rated Current	630A, 1250A,2000A,3150A,4000A
Number Of Poles	3
Characteristic	Safe and Stable
Material	Iron, Red copper, Epoxy resin
Surface Treatment	Plastic spraying



**Timetric 2000A Vacuum Circuit Breaker Operation:**

1. Electric energy storage: Switch on the motor power supply, the shaft sleeve driven by the big worm gear in the reducer, the ratchet claws into the gap on the CAM, drive energy storage shaft rotation, closing spring ready to pull to the highest point reserve closing switch lock, the small connecting rod on the crank drive a small bending plate pressure micro switch, the motor power supply is cut off, "energy storage indicator" is displayed in the panel hole, the whole energy storage time is about 15 seconds.
2. Manual energy storage: Insert the hand handle into the front hole of the reduction box and turn clockwise for about 25 laps. The pawl enters the CAM notch to drive the energy storage shaft to rotate.
3. Closing: switch on the closing electromagnet power supply or press the closing button by hand (red), the closing switch is ready to release, the energy storage shaft in the closing spring force under the action of reverse rotation, CAM pressure on the needle roller bearing on the triangle lever, the connecting rod on the lever will pass the force to the switching spindle, the conductive rod moves upward, the spindle rotates about 60 degrees when the switching switch is locked. During this process, the opening spring stores the upper energy, and the contact spring on the connecting rod is compressed, exerting a pressure on the contact. The "closing indication" is displayed in the panel hole.
4. opening: release the opening solenoid power supply or press the opening button by hand (black), the opening switch release, the main shaft in the opening spring and contact spring force under the action of reverse rotation, switch opening. The switching indication is displayed in the panel hole.

Rated voltage			12kV		
Rated frequency			50HZ/60HZ		
Rated lightning impulse test voltage/breaking			75/85kV(peak value)		
Rated 1min power frequency withstand voltage/breaking			42/48kV(valid value)		
Model	Rated current	Rated breaking current	Rated short-circuit making current (peak value)kA	Rated short-circuit duration	Mechanical life
ZN85-40.5/ 31.5-300	630,1250	20/25	50/63	4	20000
	1250,1600 2000,2500	31.5	80	4	20000
	1250,1600 2000,2500 3150	40	100	4	20000
	4000	40/50	100/125	4	20000

### Timetric 2000A Vacuum Circuit Breaker Details

