

## Timetric



### **Indoor Handcart Vacuum Circuit Breaker**

As the professional manufacture, we would like to provide you Timetric Indoor Handcart Vacuum Circuit Breaker. Wenzhou Shuyi Import and Export Co., Ltd. is dedicated to providing the high quality products by the professional and precision production, and committed to building the famous brand in the world.

### Product Description

#### **Timetric Indoor Handcart Vacuum Circuit Breaker Introduction**

As the professional manufacture, we would like to provide you Timetric Indoor Handcart Vacuum Circuit Breaker. Indoor Handcart Vacuum Circuit Breaker with rated voltage up to and including 12KV are mainly installed in fixed switchgear for the protection and control of electrical facilities in industrial and mining enterprises, power plants and substations. They are also suitable for breaking and breaking important loads and frequent operations.

# Timetric

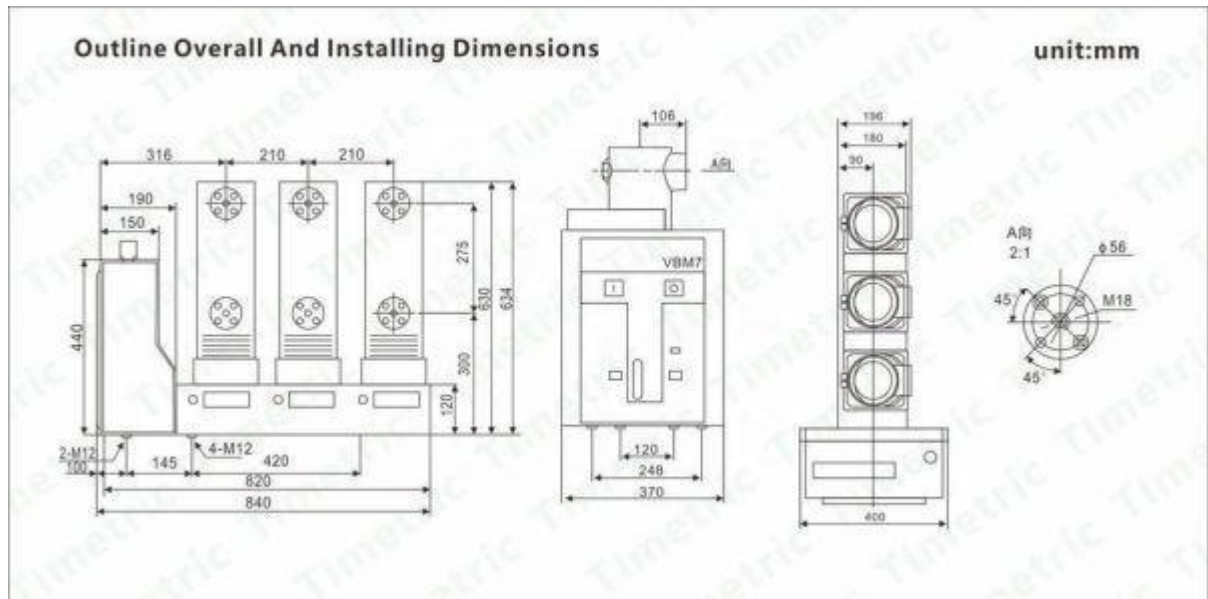


## Timetric Indoor Handcart Vacuum Circuit Breaker Parameter (Specification)

Colour	Silver gray、 Red
Shape	Combination
Size	customized
Rated Voltage	12/24KV
Rated Current	630A,1250A,2000A,3150A,4000A
Number Of Poles	3
Characteristic	Safe and Stable
Material	Iron, Red copper, Epoxy resin

Surface Treatment

Plastic spraying



**Timetric Indoor Handcart Vacuum Circuit Breaker Patent background**

Indoor Handcart Vacuum Circuit Breaker is the equipment used in the control or protection of power distribution system, such as power plant, substation and so on. Usually, the on-off operation of indoor high-voltage vacuum circuit breaker and the closing energy storage are completed by ordinary spring operating mechanism. However, the operating power supply of the existing spring operating mechanism before May 2002 is directly taken from the high-voltage network before the Indoor Handcart Vacuum Circuit Breaker itself is broken through the special voltage transformer or transformer. Once the high-voltage network is outage, the breaker can only rely on human operation. The operation is dangerous, and the whole device is large in volume, complex in installation, high in cost, easy to damage, short in service life, unreliable in performance, and even there is the risk of explosion.

**Timetric Indoor Handcart Vacuum Circuit Breaker Details**





# Timetric

