

# Timetric



## Vacuum Disconnecter

As the professional manufacture, we would like to provide you Timetric Vacuum Disconnecter. Based on our many years of experience, we are able to produce products with high quality, fast delivery and reasonable prices. Due to its obvious advantages in terms of product quality and delivery time, it has won the trust of customers in many countries at home and abroad.

### Product Description

#### Timetric Vacuum Disconnecter Mechanical properties

(Operating parameters) No. Mechanical Property parameters Unit ZN28-12/1250-20

ZN27-12/1250-31.5ZN27A-12/3150-40

1 Contact opening mm  $11\pm 1.0$   $10\pm 1.0$   $11\pm 1.0$

2 Contact stroke mm  $4\pm 1.0$   $3\pm 0.5$

3 Contact pressure N  $1500\pm 200$   $3000\pm 200$   $5000\pm 300$

4. Average closing speed m/s  $0.6\pm 0.2$

5 Average opening speed m/s  $1.1\pm 0.2$   $1.1\pm 0.3$   $1.1\pm 0.3$

6 Closing bounce time ms  $< 2$

ms  $< 3$  for the duration of 7 minutes

8 Closing time ms  $< 100$

9 Switching time ms  $< 60$

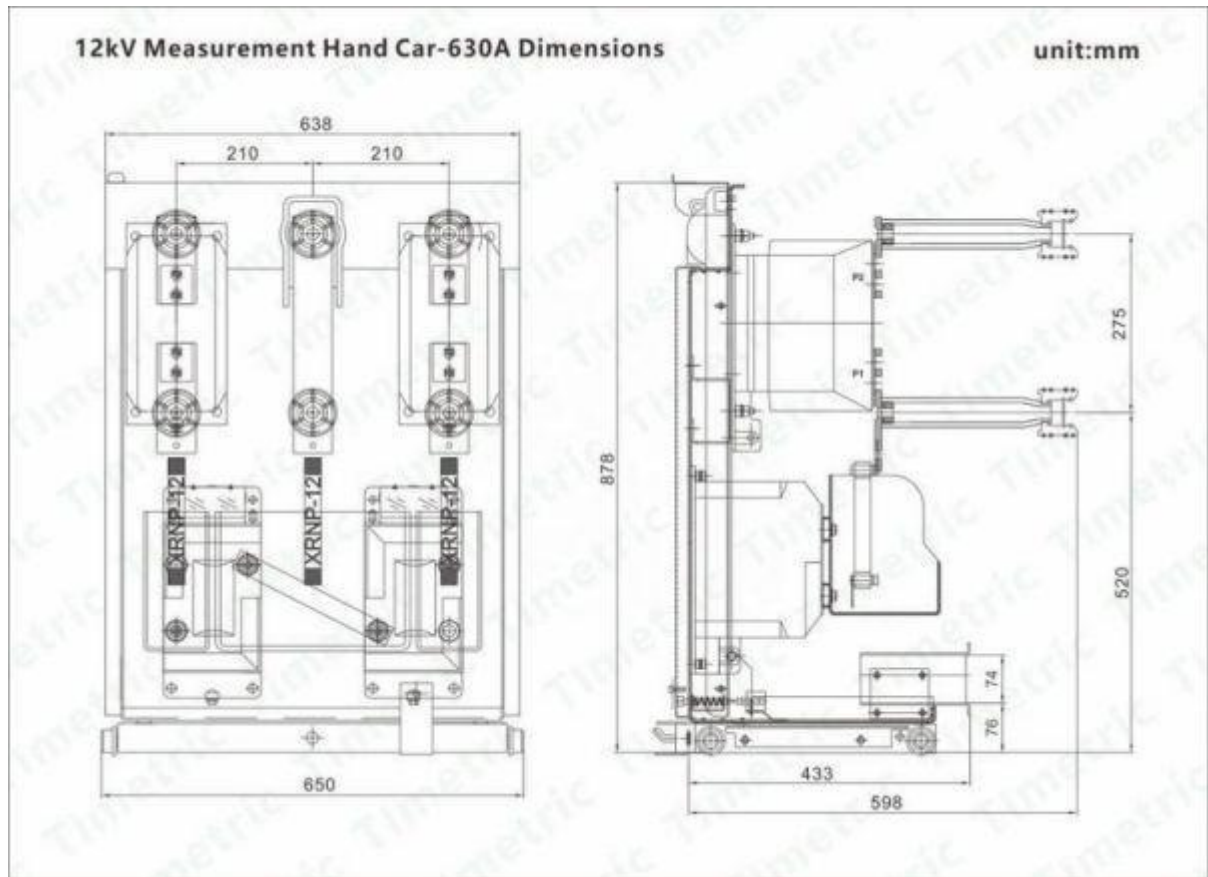
10 DC resistance of the main loop  $\mu\Omega$   $\leq 60$   $\leq 60$   $\leq 20$

The cumulative allowable wear thickness of static and static contacts is mm 3.0

# Timetric



## Timetric Vacuum Disconnecter Parameter (Specification)



## Timetric Vacuum Disconnecter company profile

Timetric is located in Yueqing City, Zhejiang Province, the capital of China's electrical appliances. We are a high-tech enterprise integrating R&D, manufacturing and selling products all over the world. Export products: 7.2KV to 40.5KV switch cabinets and their components, such as high or low voltage switch control cabinets, grounding switches, interlocking devices, insulators, chassis vehicles, vacuum circuit breakers, etc. Timetric pays attention to science and technology investment, talent training, and introduces internationally advanced sheet metal flexible production lines, CNC laser cutting equipment, and robot automatic welding equipment to maximize the production and technical requirements of customers for non-standard products. In the future, Timetric will continue to update equipment, cultivate talents, devote itself to the development and innovation of the electrical industry. we strive to become an internationally renowned brand. Corporate culture: Development and innovation is the foundation of Timetric Quality first is the life of Timetric Standardized management is the foundation of Timetric Customer satisfaction is the pursuit of Timetric

